

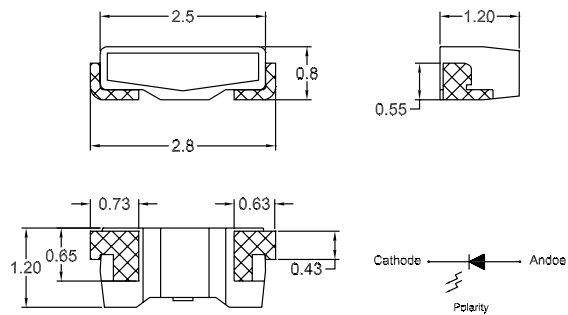
**Short Form Side Emit LEDs**

**OPTO ELECTRONIC  
COMPONENTS**



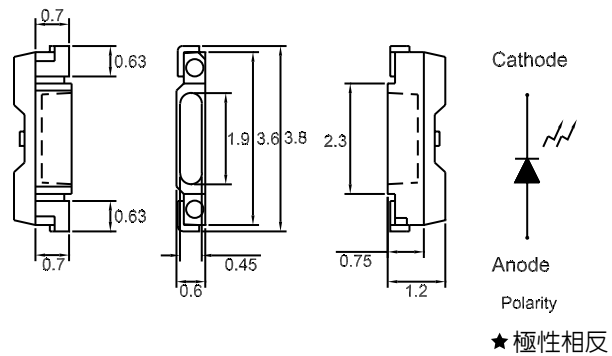
Greener  
and brighter

### PLCC Side View-008



Part No	Chip			Vf(V)@20mA		Iv(mcd)@20mA	Viewing angle 2θ½
	Material	Emitted color	λD (nm)	Min	Max	Typ	
★ LG-008URFS-B01	AlGaInP	Red	625	1.7	2.6	700	115
LG-008DBK-CT-L1-A01	InGaN	Blue	470	2.8	3.6	260	115
LG-008DGM-A01	InGaN	Green	525	2.8	3.6	1000	115
LG-008WK-DT-N12-A01	InGaN	White	X0.299 Y0.296	2.8	3.6	1900	115
LG-008WK-WW-A01	InGaN	White	X0.5315 Y0.436	2.8	3.6	1800	115

### PLCC Side View-020



Part No	Chip			Vf(V)@20mA		Iv(mcd)@20mA	Viewing angle 2θ½
	Material	Emitted color	λD (nm)	Min	Max	Typ	
★ LG-020URFS-B01	AlGaInP	Red	625	1.7	2.6	600	110
LG-020DBK-CT	InGaN	Blue	470	2.8	3.6	200	110
LG-020DGM-CT	InGaN	Green	525	2.8	3.6	700	110
LG-020WK-DT-L1-P-N12-A01	InGaN	White	X0.3005 Y0.2955	2.8	3.4	1500	110
LG-020WK-CW-A02	InGaN	Blue	X0.3032 Y0.3106	2.8	3.6	2400	110